

RTO LED RTO Series Red Obstruction Light L-810



3195 Vickery Rd. North Syracuse NY 13212 | (315) 699 4400 | Unimar.com

Meets:

FAA AC 150/5345-43F
 FAA Engineering Brief No. 67
 ICAO Annex 14, 4th Ed. July 2004
 ICAO Aerodromes Design Manual, Ch.18
 Canadian Aviation Regulation CAR 621.19
 Nachrichten für Luftfahrer Teil I Langen, 6. January 2005
 German Air Traffic Control Notices for Pilots Part I 6, January 2005

Qualified By:

Intertek ETL
 Lighting Sciences Canada
 DGAC Mexico



Application

The RTO Series obstruction light utilizes a unique optical, electrical and mechanical design. The RTO Series is the most universal, compact and efficient obstruction light in the world. ETL Certified to the FAA requirements, the RTO Series fixture is also ICAO and Transport Canada compliant. Also available as a single fixture for direct replacement of incandescent lamp/lens technology.

Features

- Available as a single, dual or retro-fit unit
- Available in 120 - 277 VAC; and 12 - 48 VDC
- Grounding terminals provided
- Unique optical design (patent pending)
- Advanced high-flux LED technology
- Estimated service life 12-15 years
- Weather/corrosion resistant lamp assembly and housing
- Self-contained wiring compartment eliminates additional boxes
- Threaded 1" and ¾" bottom hub for mounting
- Can be operated steady or flashed
- Uses 95% less energy than incandescent
- 5 year warranty
- Resistant to shock and vibration
- IP65 / IP66 / NEMA 4X

Operating Conditions

The RTO Series is designed to withstand the dynamic conditions experienced in the most severe environments around the world. It has been tested in temperatures ranging from -40° to +55° Celcius, direct sunlight, wind-blown rain, wind in excess of 150 mph, high humidity, salt and fog.

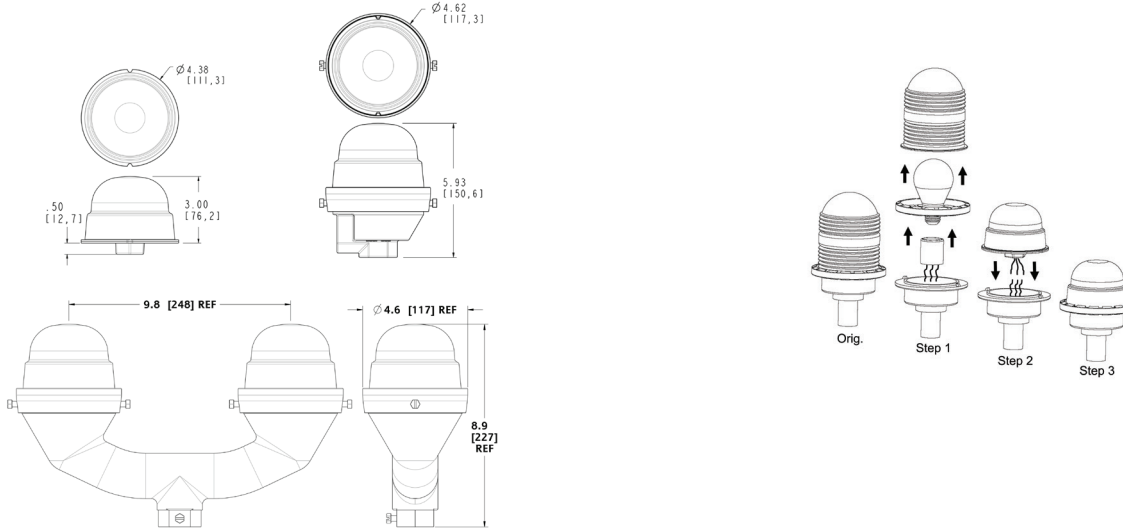
Specifications

Supply Voltage:	100 to 248 VAC, 50/60 Hz
	277 VAC, 50/60 Hz
Power Factor:	>0.9 (all AC units)
Nominal Input Power:	6.5W (120-230 VAC FAA version)
	8.6W (120-230 VAC Transport Canada version)
	8.0W (277 VAC FAA version)
	3.5W (12-48 VDC, FAA version)
Operating / Storage Temp:	-40° C to +55° C (-40° F to +131° F)

Electrical Specifications

Model	Operating Voltage	Volt-Amps (Nominal)	Input Power (Nominal)
FAA	100-230 VAC ± 10%	6.8 VA	6.5 W
Transport Canada	100-230 VAC ± 10%	9.0 VA	8.5 W
FAA	277 VAC +10% -30%	7.2 VA	8.0 W
FAA	12-48 VDC	--	3.5 W

Mechanical Dimensions



Ordering Information

Single Fixtures - Red

Part Number	Voltage	Cert.
RTO-1R07-001	120-230 VAC	FAA
RTO-6R07-001	120-230 VAC	TC*
RTO-1R06-001	277 VAC	FAA
RTO-1R08-001	12-48 VDC	FAA
RTO-1R07-001-EU	120-230 VAC	Eur.**

Dual Fixtures - Red

Part Number	Voltage	Cert.
RTO-1R07-002	120-230 VAC	FAA
RTO-6R07-002	120-230 VAC	TC*
RTO-1R06-002	277 VAC	FAA
RTO-1R08-002	12-48 VDC	FAA
RTO-1R07-002-EU	120-230 VAC	Eur.**

Single Retro-Fit Fixtures - Red

Part Number	Voltage	Cert.
RTO-1R07-004	120-230 VAC	FAA
RTO-6R07-004	120-230 VAC	TC*
RTO-1R06-004	277 VAC	FAA
RTO-1R08-004	12-48 VDC	FAA
RTO-1R07-004-EU	120-230 VAC	Eur.**

* TC = Transport Canada
** Eur. = European Version

Weights and Measurements

Model	Shipping Wt	Container Dimensions
Retro Unit	1.25 lbs	7.60" x 5.25" x 5.75" (193mm x 133mm x 146mm)
Single Unit	2.00 lbs	7.60" x 5.25" x 5.75" (193mm x 133mm x 146mm)
Dual Unit	4.60 lbs	18.6" x 12.5" x 6.40" (472mm x 318mm x 163mm)

Materials/ Finish

- Cast Aluminum base and housing
- Aviation Red UV resistant polycarbonate dome